

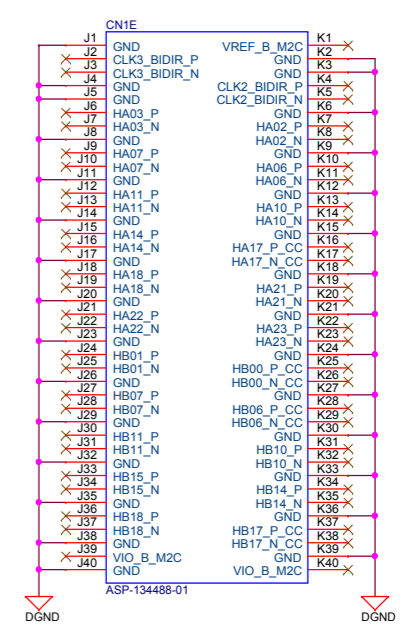
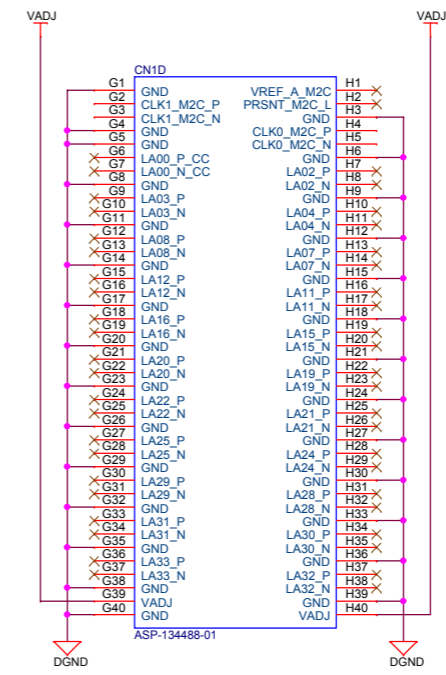
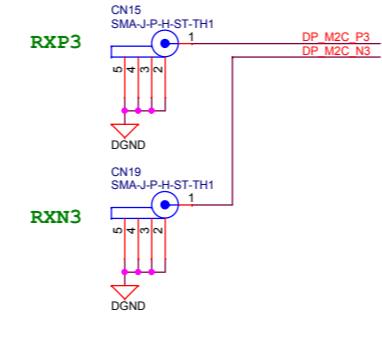
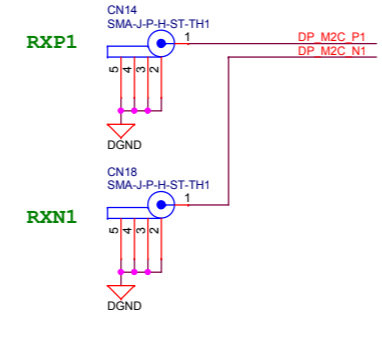
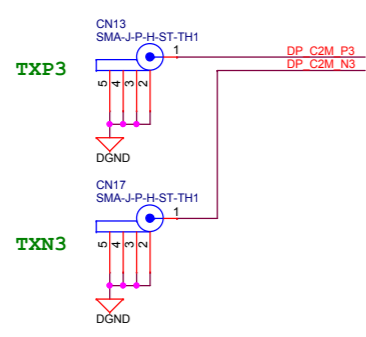
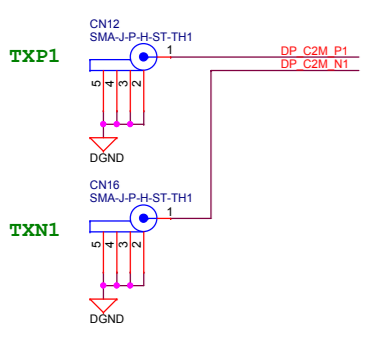
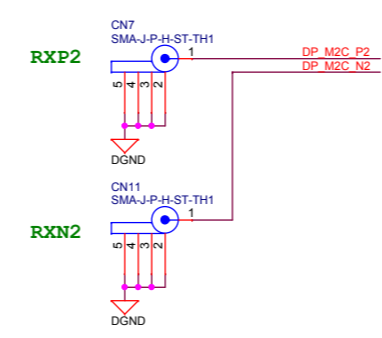
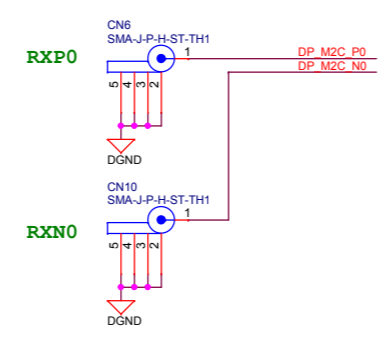
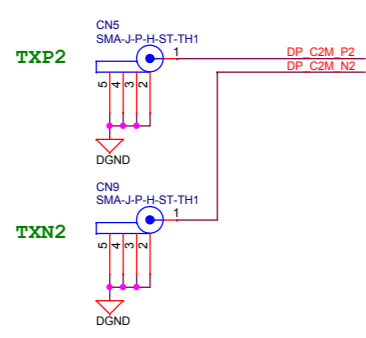
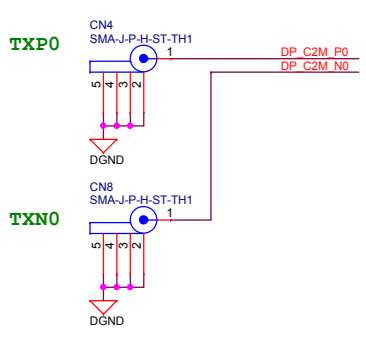
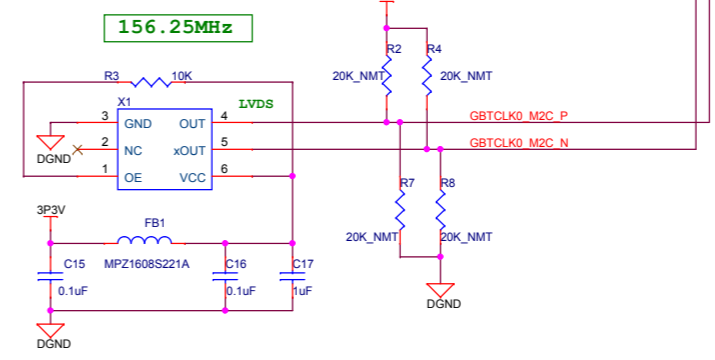
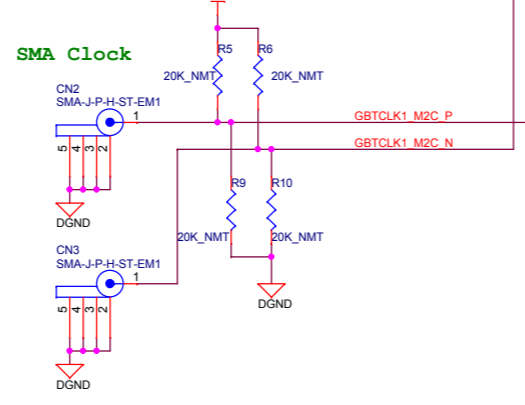
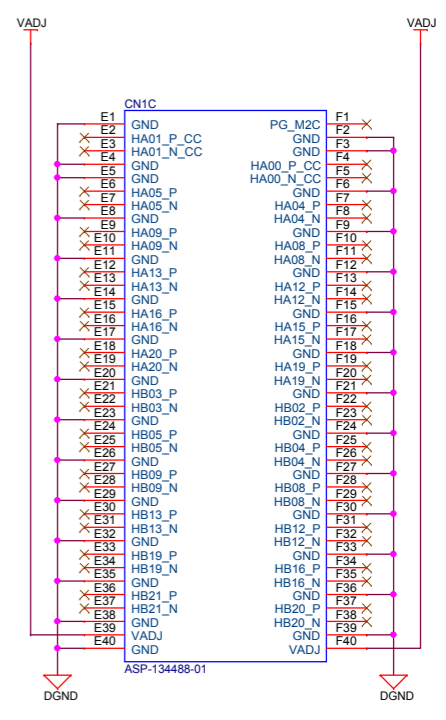
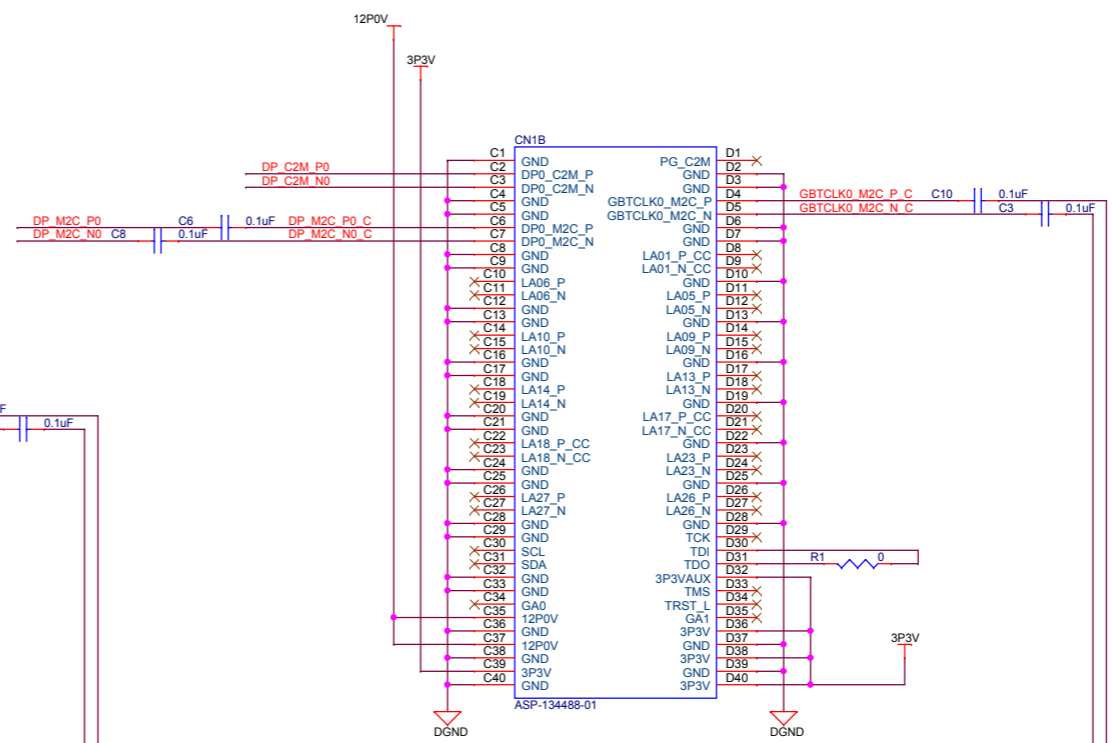
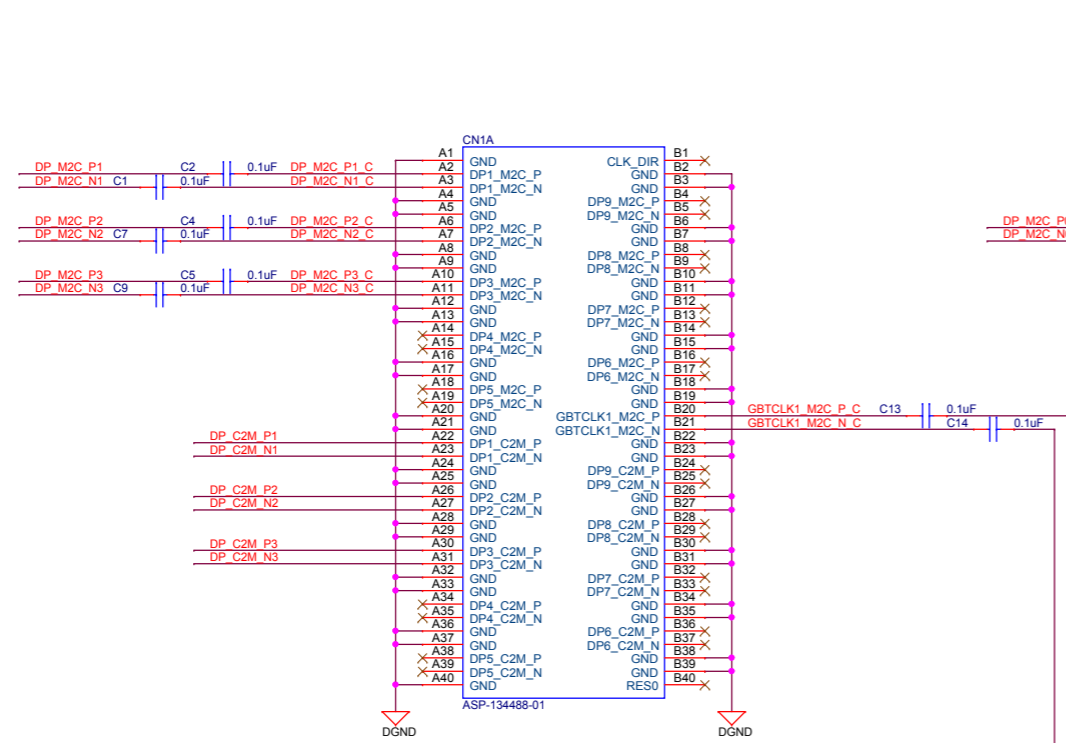
TB-FMCH-FMC2SMA

Page 01 : INDEX
Page 02 : FMC

Revision History

Date	Revision	Content	Page
2013.04.08	REV 0.01	First Version	ALL

Notes : [_NMT] is No Mounting.



Title		
TB-FMCH-FMC2SMA		
Size	Document Number	Rev
A2	P02_FMC	0.01
Date:	Wednesday, April 10, 2013	Sheet 2 of 2